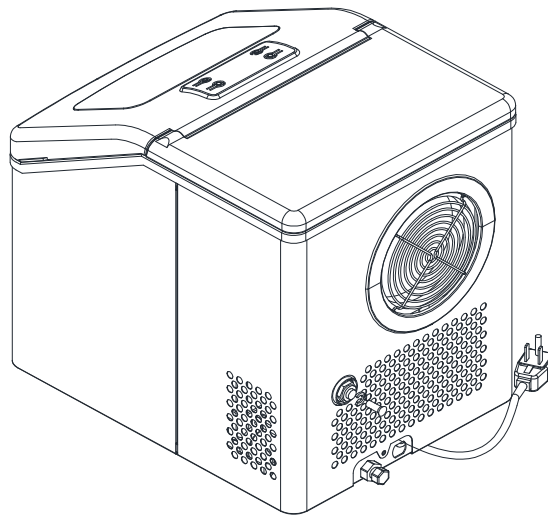
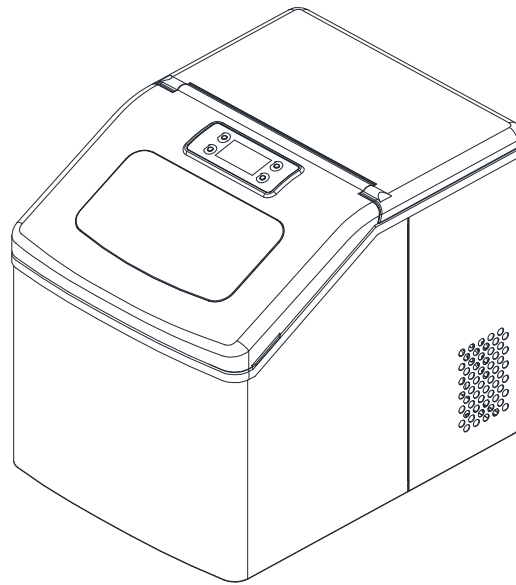


USER MANUAL

ICE MAKER

HZB-18F/L HZB-18F/SL



It is important that you read these instructions before using your portable ice maker and we strongly recommend that you keep them in a safe place for future reference.

TABLE OF CONTENTS

IMPORTANT SAFETY INSTRUCTIONS	2
PREPARING YOUR ICE MAKER FOR USE	
IMPORTANT SAFETY TIPS.....	3-4
GETTING TO KNOW YOUR UNIT	5
OPERATING PROCEDURES & MAINTENANCE	
UNPACKING YOUR ICE MAKER.....	5
CONNECTING YOUR ICE MAKER.....	6
CLEANING AND MAINTAINING YOUR ICE MAKER.....	6-7
USING YOUR ICE MAKER	8
TROUBLESHOOTING.....	9
TECHNICAL PARAMETERS & CIRCUIT DIAGRAM	10

IMPORTANT SAFETY INSTRUCTIONS

Your safety and the safety of others are very important.

We have provided many important safety messages manual and your appliance.
Always read and obey all safety messages.

This is the safety alert symbol:



All safety messages will follow the safety alert symbol and the word “DANGER” or “WARNING”.

 **DANGER**

 **WARNING**

These words mean:

You can be killed or seriously injured if you don't immediate follow instructions.

All safety messages will tell you what the potential hazard is, tell you how to reduce the chance of injury, and tell you what can happen if the instructions are not followed.

PREPARING YOUR ICE MAKER FOR USE

IMPORTANT SAFETY TIPS

When using electrical appliances, basic safety precautions should be followed to reduce the risk of fire, electric shock, and injury to persons or property. Read all instructions before using any appliance.

- Do not operate this, or any other appliance with a damaged cord. Connect to properly polarized outlets only. No other appliance should be plugged into the same outlet. Be sure that the plug is fully inserted into the receptacle.
- Do not run the power cord over carpeting or other heat insulators. Do not cover the cord. Keep cord away from traffic areas, and do not submerge in water.
- We do not recommend the use of an extension cord, as it may overheat and become a risk of fire. If you must use an extension cord, use No.14 AWG minimum size and rated no less than 1875 watts.
- Unplug the ice maker before cleaning or making any repairs or servicing.
- Exercise caution and use reasonable supervision when appliance is used near children.
- Do not use your ice-maker outdoors. Place the ice-maker away from direct sunlight and make sure that there is at least 6 inches of space between the back of your unit and wall. Keep a minimum distance of 6 inches on each side of your unit free.
- Do not use other liquid to make the ice-cube other than water.
- Do not clean your ice maker with flammable fluids. The fumes can create a fire hazard or explosion.
- Do not tip over.
- If the ice maker is brought in from outside in wintertime, give it a few hours to warm up to room temperature before plugging it in.

WARNING: This appliance must be earthed.

- **DANGER – Risk Of Fire or Explosion. Flammable Refrigerant Used. Do Not Use Mechanical Devices To Defrost Ice Maker. Do Not Puncture Refrigerant Tubing.**



- **DANGER – Risk Of Fire Or Explosion. Flammable Refrigerant Used. To Be Repaired Only By Trained Service Personnel. Do Not Puncture Refrigerant Tubing.**

- CAUTION – Risk Of Fire Or Explosion. Flammable Refrigerant Used. Consult Repair Manual/Owner’s Guide Before Attempting To Install or Service This Product. All Safety Precautions Must be Followed.
- CAUTION – Risk Of Fire Or Explosion. Dispose Of Property In Accordance With Federal Or Local Regulations. Flammable Refrigerant Used .
- CAUTION-Risk Of Fire Or Explosion Due To Puncture Of Refrigerant Tubing;Follow Handling Instructions Carefully. Flammable Refrigerant Used.
- The ice maker should be installed in accordance with the safety standard for Refrigeration Systems, ASHRAE15. The ice maker shall not be installed in corridors or hallways of public buildings.
- If the unit is with problem need to be maintained, that replacing with like components and that servicing shall be done by factory authorized service personnel, so as to minimize the risk of possible ignition due to incorrect parts or improper service.

IMPORTANT:

The wires in this mains lead are colored in accordance with the following code:

Green or Green with a strip yellow:	Grounding
White:	Neutral
Black:	Live

To avoid a hazard due to instability of the appliance, it must be placed at a even or flat surface.

GETTING TO KNOW YOUR UNIT

1. Water supply inlet for connecting the water pipe
2. Unit top cover
3. Water separator pipe
4. Evaporator
5. Ice basket
6. Ice scoop
7. Transparent window
8. Control Panel:

- A. Timer button
- B. Power button
- C. LCD Display area

1. Ambient temp and ice making countdown symbol: when display show <M>, ice making countdown, when display show <°F>, means ambient temp.

2. Ice making and Ice harvest symbol: when the symbol is running, the unit is making ice cube, when the symbol flash, the unit is ice harvest.

3. ON/OFF symbol.

4. Error code E1-Ambient temp sensor breakdown. E2-refrigerating tube sensor breakdown

5. Lack water warning symbol.

6. Ice full warning symbol.

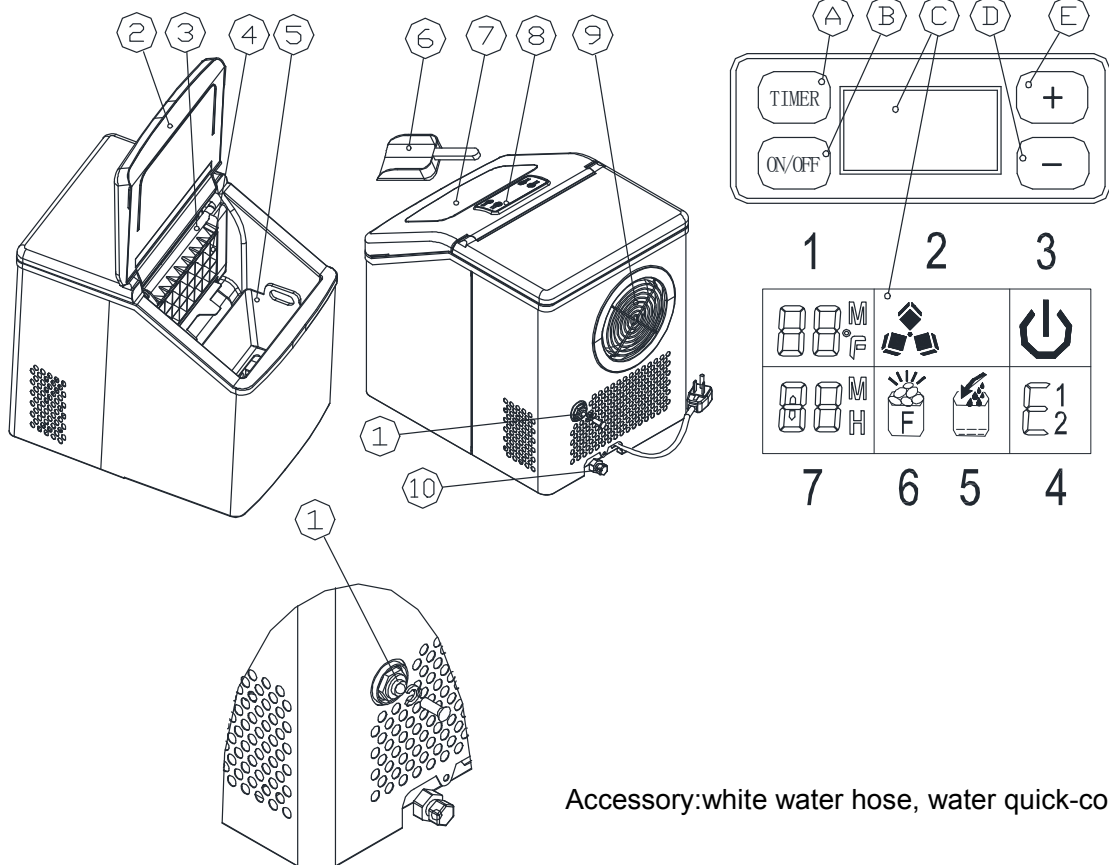
7. Time setting display area. When show <H>, timer unit ON/OFF, when show <M>, setting ice making time.

D. Ice making and timer reduce.

E. ice making and timer increase.

9. Hot Air Outlet

10. Water draining port: To draining out the water from unit.



Accessory: white water hose, water quick-connector.

OPERATING PROCEDURES & MAINTENANCE

UNPACKING YOUR ICE MAKER

1. Remove the exterior and interior packaging. Check that ice basket and ice scoop is included. If any parts are missing, please contact our customer service.
2. Clean the interior with lukewarm water and a soft cloth. Take out the ice basket and clean it
3. Find a location for your ice maker that is protected from direct sunlight and other sources of heat (i.e.: stove, furnace, radiator). Place the ice maker on a level surface. Make sure that there is at least 6 inches of space between the back and sides of your ice maker and the wall.
4. Allow one hour for the refrigerant fluid to settle before plugging ice maker in.
5. The appliance must be positioned so that the plug is accessible.

WARNING: connect to the potable water supplying only. Only use drinking water.

CONNECTING YOUR ICE MAKER



DANGER

*** Improper use of the grounded plug can result in the risk of electrical shock. If the power cord is damaged please call our customer service.**

1. This unit should be properly grounded for your safety. The power cord of this appliance is equipped with a three-prong plug which mates with standard three prong wall outlets to minimize the possibility of electric shock.
2. Plug your appliance into an exclusive, properly installed, grounded wall outlet. Do not under any circumstances, cut or remove the third (ground) prong from the power cord. Any questions concerning power and/or grounding should be directed toward a certified electrician.
3. This appliance requires a standard 110-120volt, 60Hz electrical outlet with three-prong ground.

CLEANING AND MAINTAINING YOUR ICE MAKER

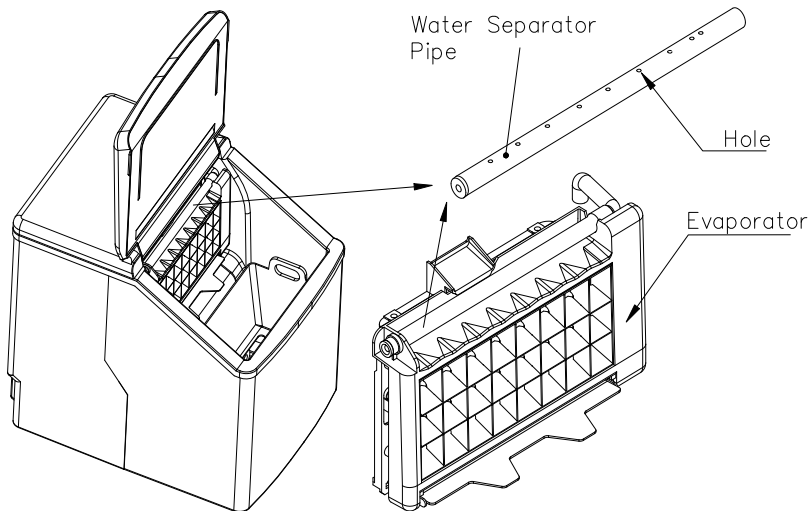
Before using your ice maker, it is strongly recommended to clean it thoroughly.

1. Take out the ice basket.
2. Clean the interior with diluted detergent, warm water and a soft cloth.
3. Then use the water to rinse the inside parts, and drain out the water from the draining port by unplugging the drain cap on the back.
4. The outside of the ice maker should be cleaned regularly with a mild detergent solution and warm water.
5. Dry the interior and exterior with a soft cloth.
6. When the machine is not in use for a long time, open the water drain cap to drain water completely out from the water reservoir.

After using your ice maker for a long time, we also suggest you should clean your unit. Especially to the water separator pipe and the water filters, you must clean them

periodically.

1. If the water separator pipe is blocked and there is no water flowing down when you listen the compressor and the water pump inside are still working, please turn off the unit first and disassemble this pipe down, and clean it. Clean the each hole on the pipe wall displayed in following picture. After cleaning, install back the water separator pipe and be sure the right terminal of the pipe connect to the silicone pipe well and as original.



2. For both of the water tank and the big water reservoir, clean them with diluted detergent, warm water and a soft cloth. Then use the water to rinse the inside, and drain out the water from the draining port by unplugging the drain cap on the back. It will help you keep the unit and ice-cube hygienicly, and also make the unit work normally.
3. When cleaning, if find that the ice cube left on the evaporator and can not be taken out easily, you can turn on the unit to let the unit enter the ice making process, then press "ON/OFF" button for more than 5 seconds to let the unit start ice harvest process to melt the ice cube. It will help you remove the hard ice cube.

How to drain out the water from the internal tank and big water reservoir completely

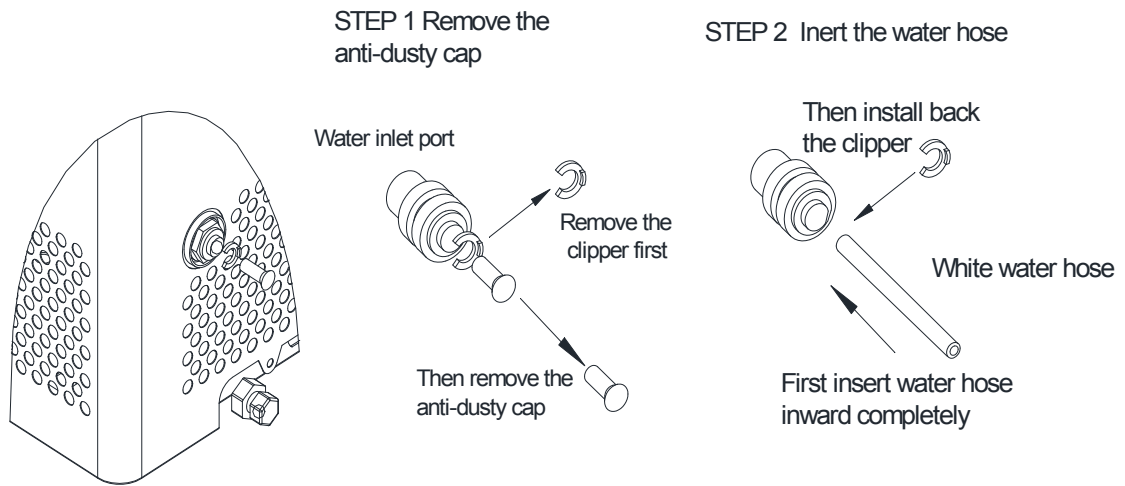
Because the water in the big water reservoir is stop to drain port by the water valave, if you want to drain away all the water, please plug on the unit and but don't start the unit, then remove the drain port cap at the back. Wait some minutes, all of the water will flow out.

CONNECT YOUR ICE MAKER WITH WATER SUPPLY

Important: Be sure to use the new hose-sets supplied with the appliance to connect to water mains and that old hose-sets should not be reused.

1、 Connect the water hose to the the unit:

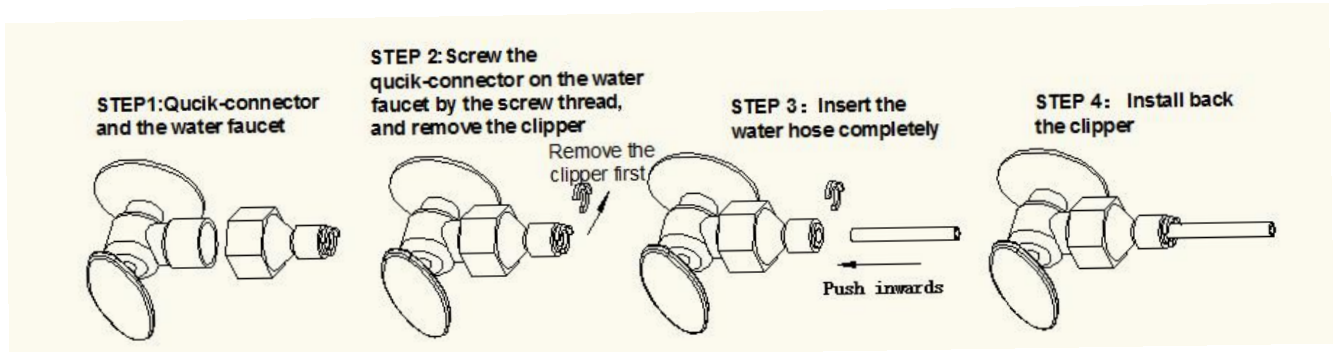
First, remove the clipper on the water inlet by pushing inwards the anti-dusty plug, then take down the anti-dusty plug; Second, insert the one end of the white water hose into the water inlet port, and push inward completely, and install back the clipper, then this step is completed.



2. Connect the water hose to the water faucet of the water supply system

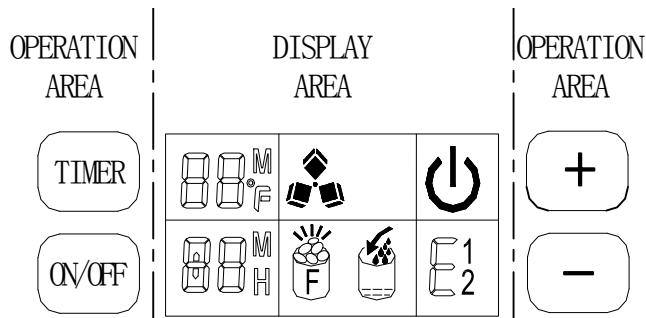
First, install the supplied water quick-connector to the water faucet by screw thread; Second, remove the clipper from the water quick-connector, insert the another end of the water hose into this quick-connector port completely, then install back the clipper, also this step is completed. Note: The water faucet should be supplied by the customer himself.

Important: The water pressure of main water supply system must be 0.04-0.6 MPa at least.



USING YOUR ICE MAKER

Operation panel and display area



1. Plug on the main power supply plug. Then press "ON/OFF" button on the control panel to begin the ice making cycle.
2. When you plug the unit, the power symbol will flash. Press the <ON/OFF> button, the unit will start making ice cube, ice making symbol will keep running. The left up corner of display area will show the ambient temp, i.e.: 80°F means the ambient temp is 80°F. After several mins, this area will show flash number, i.e.: 10M means the ice making will finish 10 mins later.
3. When ice maker harvest, symbol flash, the water will flow from top water reservoir to bottom water tank through solenoid valve, the symbol will be on, when the water in the bottom water tank is full, the symbol will be off, then the next ice making cycle start again. When there is no water in the water reservoir, the symbol will keep on. Turn off the unit and fill water again, then restart the unit to make ice cube. Or fill water directly and wait 20mins, the unit will restart.

Remark: The ice making cycle lasts about 13 to 25 minutes, depending on the ambient temperature. And for the first time, according to the initial water temperature, ice-making last time will be a little longer. In the extreme hot room temperature, ice-making time may be vary a lot, but it will not exceed 35 minutes.

If you think the ice cube is not thick enough, during ice making, press the <+> and <-> to set the ice making lead time. Press one time and the ice making cycle will increase or reduce one min, 6min most. This can only start from the new cycle.

4. When Ice Full symbol is on, the unit will stop, take out the ice cube inside, the unit will start working again.

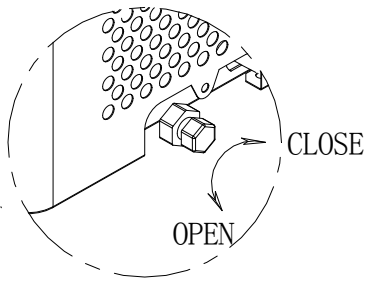
If press the button <ON/OFF> more than 5s, when the ice maker is working, the unit will start harvest. Press button <ON/OFF>, the unit will turn off.

Timer setting. Unit on timer setting, When the unit is working, timer setting the unit off. Unit off timer setting, When the unit is off, timer the unit on.

Press the <TIMER> button, the display will show <1H>, and then press <+> and <-> to set the time. During the setting, the H is flash, after 5s, the H will keep on and unit will in your timer setting..

5. Water Drain: take off the drain plug cap on the back of unit, take out the silicon plug, then drain the water inside. It is better that exchange water every 24 hours and clean unit every 3 days.

Warning



A、 make sure the water tank ,water filter and the water separator pipe is not blocked, clean them




B 、 The water temp will effect the ice making capacity.The lower temp,the more ice cube produce.

C 、 The cooler ambient temp, the more ice cube produce.

D、 always use good quality water to make sure the pump work well.Bad quality water will cause pump noise,but doesn' t effect the unit working.

E、 The compressor restart 3mins later if you turn off the unit.

TROUBLESHOOTING

PROBLEM	POSSIBLE CAUSE	SOLUTION
 < > is on	Lack of water	Turn off the unit and add water to <FULL>level, then re-start the unit.
 < > is on	Too much ice cube in the basket	Remove the ice cube in the basket
The water reservoir has water, but  < > is on	The inlet solenoid valve breakdown	Need the technical service person to maintain
<E1> is on	Ambient temp sensor breakdown	The unit can still work, change a new sensor
<E2> is on	Refrigerating tube sensor breakdown	The unit can still work, change a new sensor
No water in the water Separator pipe	The holes are blocked	Use slim wire to prick each hole, till The water can flow out easily.
	Water filter block	Clean the water filter
Ice cube thick and can't Drop down	Ice making cycle too long	Press <-> to reduce the ice making time.
Ice cube thin	Ambient temp too high	Move the unit to cool place
	Water temp too high	The water temp should be no more more than 25°C (77°F) .
	Ice making short	Press <+> to increase the ice making Time.
Unit work but no ice cube	Ambient temp is high or the Water temp is high	Move the unit to somewhere ambient Temp lower than 30°C (86°F), fill cool water.
	Refrigerant system leakage	Need the technical service person to maintain
	Refrigerant system block	Need the technical service person to maintain

TECHNICAL PARAMETERS & CIRCUIT DIAGRAM

TECHNICAL PARAMETERS

Model	HZB-18F/L	HZB-18F/SL
Protection Type	I	I
Power	115V/60Hz	115V/60Hz
Ice Making Current	1.6A	1.6A
Ice Harvest Current	2.6A	2.6A
Refrigerant	R600a 1.13Oz/32g	R600a 1.13Oz/32g
Design Pressure		
High Side	260Psig	260Psig
Low Side	88Psig	88Psig
Net Weight	10.5kg	11kg
Enclosure	Plastic	Stainless

CIRCUIT DIAGRAM

