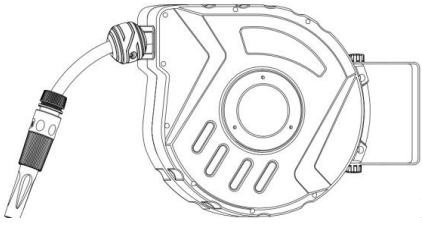


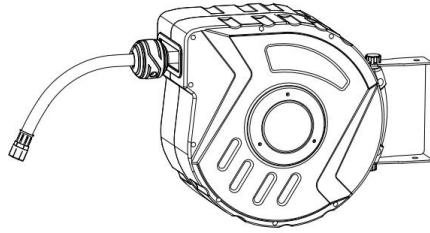
---

# AUTO REWIND WATER/AIR HOSE REEL

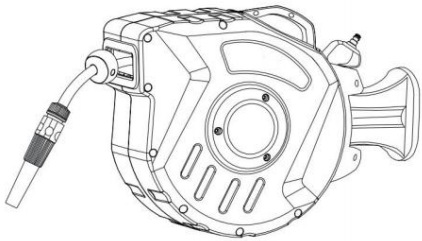
## INSTRUCTION MANUAL



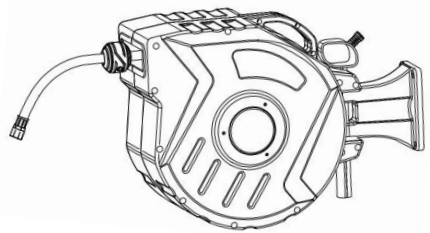
XBW-03



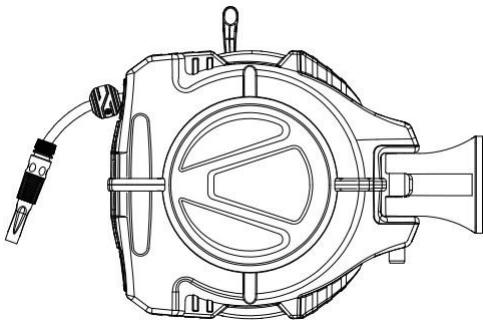
XBA-03



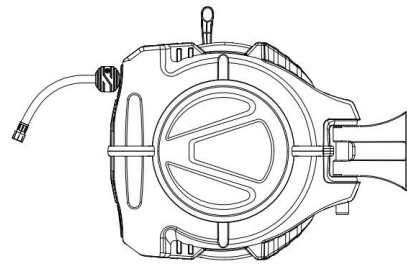
XBW-02



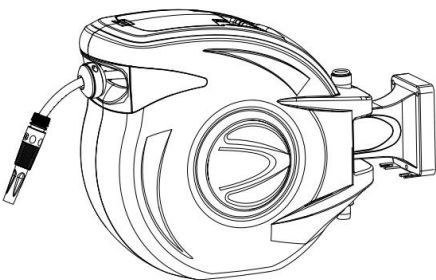
XBA-02



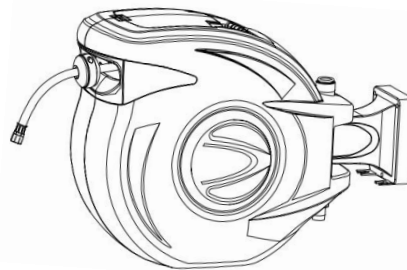
XBW-01



XBA-01



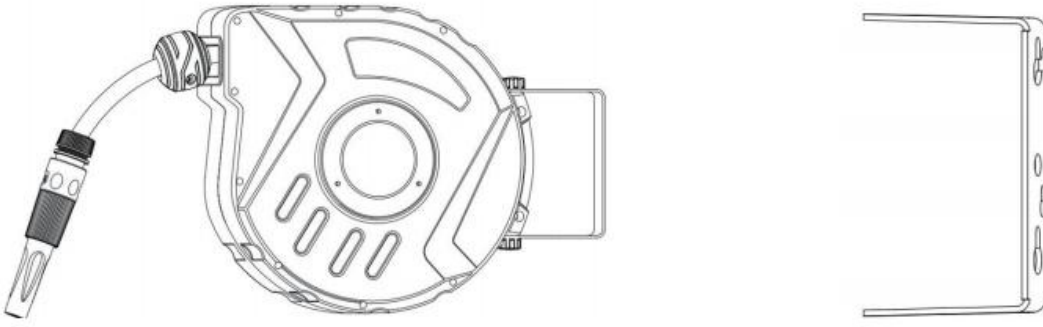
XBW-05



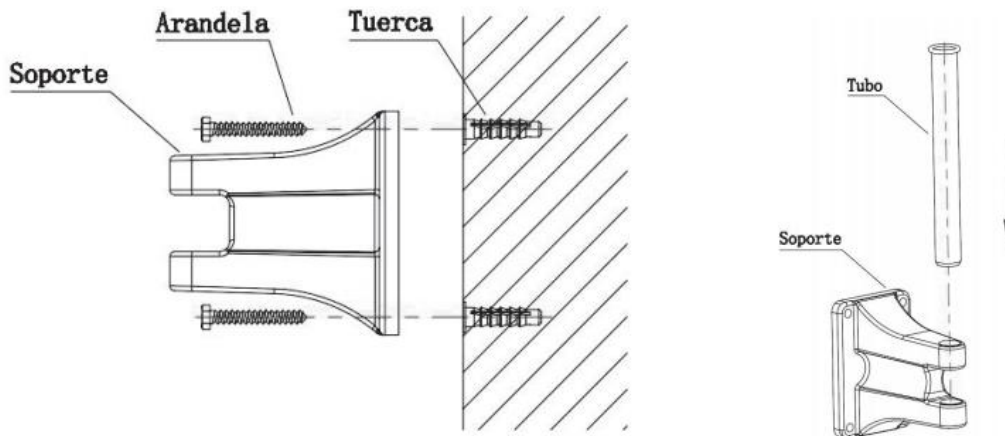
XBA-05

**NOTE! Read the instruction manual carefully before using the tool and follow all given instructions. Save the instructions for further the reference**

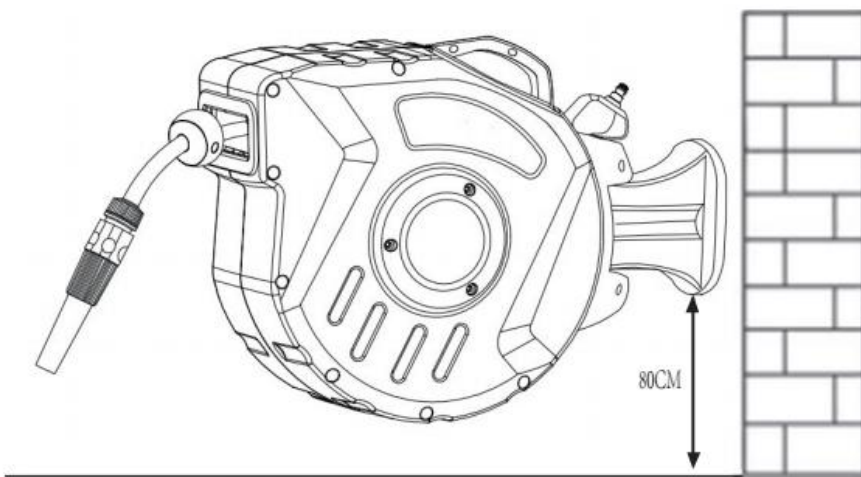
---



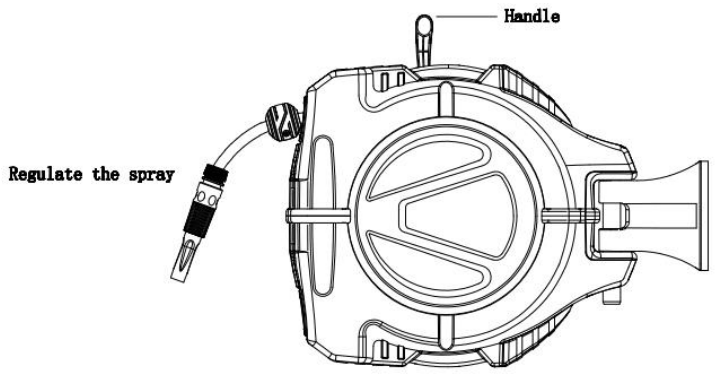
Fasten metal mounting to the wall or ceiling with screw .



1. Drill 4x M8 holes to match the holes located in the Mounting Bracket.
2. Connect the hose reel to the Mounting Bracket with the Pivot Pin.



It is recommended to install the mounting bracket 0.8 metre from the mounting bracket to floor .



1. Pull the hose , It has 2-3 lock positions every one metre.
2. Please don't pull at the hose when it has finished.
3. Please hold the nozzle when the hose is retraction until it is finished.

#### 4: Trouble Shooting:

The most common malfunction is :the hose cannot be retracted automatically after fully extending the hose.

The reason may be that:The hose end is locked as the stop anywhere mechanism stays in the locking point,and there's no extra hose to be pulled out for a release. There are two ways to solve this:

- (1)hold the hose at the yellow waring mark and pull with a jerking motion until the hose retracts.
- (2)Place the item with its right side down, pull on the hose until it retracts.

#### WATER HOSE REEL

Model	Hose length	Hose material	Working Pressure	Temperature	Outer casing material	Size of Inlet
XBW-01	20M	PVC	8Bar	-5°C-45°C	PP	3/4"
XBW-02	15M					
XBW-02	20M					
XBW-03	10M					
XBW-05	30M					

#### AIR HOSE REEL

Model	Hose length	Hose material	Working Pressure	Temperature	Outer casing material	Size of Inlet
XBA-01	20M	PVC/PU/ PU mesh	18Bar	-5°C-45°C	PP	1/4"
XBA-02	15M					
XBA-02	20M					
XBA-05	30M					
XBA-03	10M		8Bar			