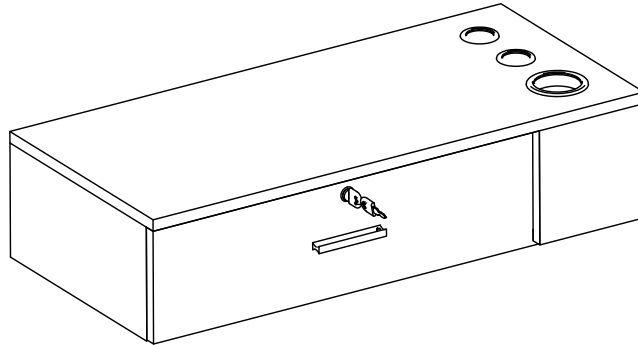


PRODUCT MANUAL

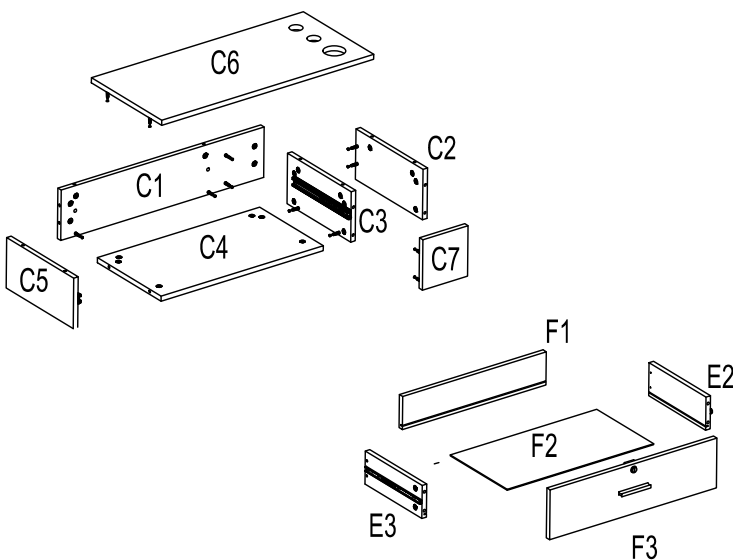
Model# HZ5021










PRODUCT MANUAL

! ATTENTION! PLEASE READ THESE INSTRUCTIONS BEFORE USING THIS DEVICE



PARTS & FEATURES



	Eccentric wheel X24
	Threaded pin X24
	Screw 1 X4
	Screw 2 X4
	Bolt X2
	Handle X1
	Lock X1
	Lock ring X1
	Key X1

NOTICE:

If your package is missing parts or you are having issues with assembly, please email us directly.

Our customer service team will address any questions or concerns you may have.

Have this manual open and ready for reference.

SAFETY

To reduce risk of injury when assembling & using the cabinet, follow these precautions:

- . Read all of these instructions before assembling and using your salon cabinet.
- . It is helpful to have 2 people assemble and turn the chair upright after assembling.

OTHER ITEMS YOU WILL NEED (not included)

- . Hand Tools: Wrench, Rubber Mallet, Screwdriver (Phillips) , Sturdy box

Installation instruction

First : Installation Method for Connecting boards

Step 1 . Install threaded pins into the reserved plastic thread holes by screwdriver .

Step 3 . Insert the installed threaded pins into the side holes one to one .

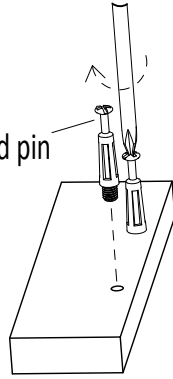
Step 3 . Install Eccentric wheels into the larger holes of the board , The arrow groove on the surface of the eccentric wheel must point to the side hole .

Step 4 . tighten them by cross-head screwdriver

Please follow up the diagram beside.

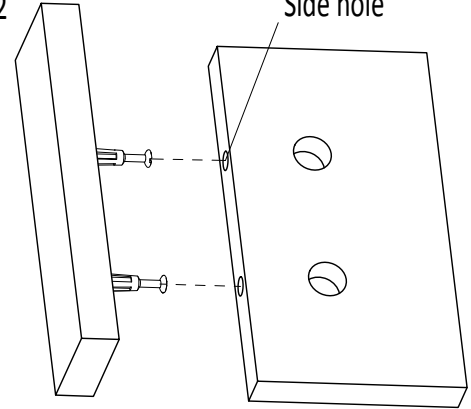
Step 1

Threaded pin



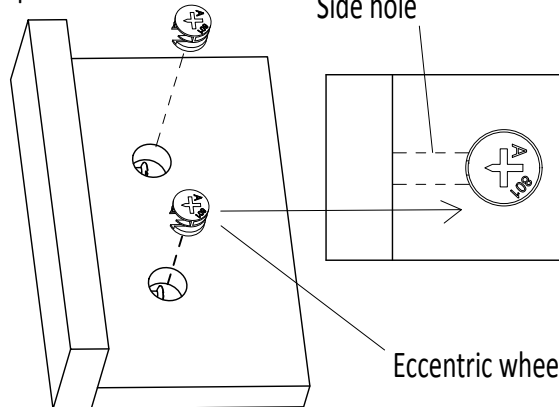
Step 2

Side hole



Step 3

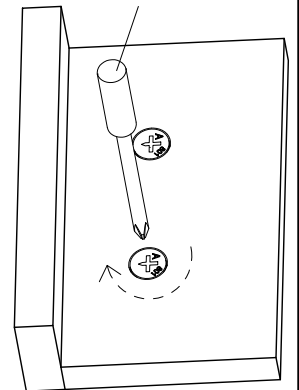
Side hole



Eccentric wheel

Step 4

Screwdriver



Second : Install the Larger drawer into the cabinet C

Step 1 . Install C3 to C4 .

Step 2 . Install C1 to the installed C3 & C4 .

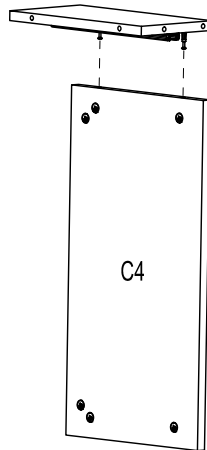
Step 3 . Install C2 and C5 to the installed C1 & C4 .

Step 4 . Install C6 and C7 to the installed C1 , C2 , C3 , C4 & C5 .

Please follow up the diagram beside.

Step 1

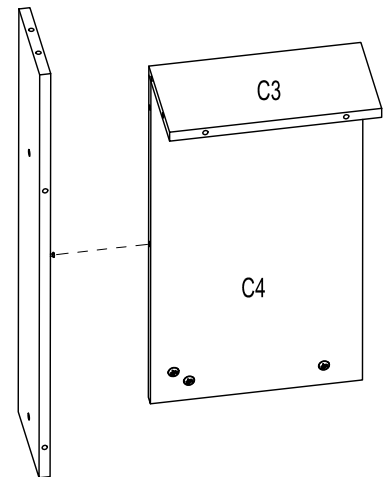
C3



C4

Step 2

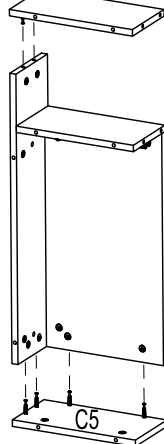
C1



C4

Step 3

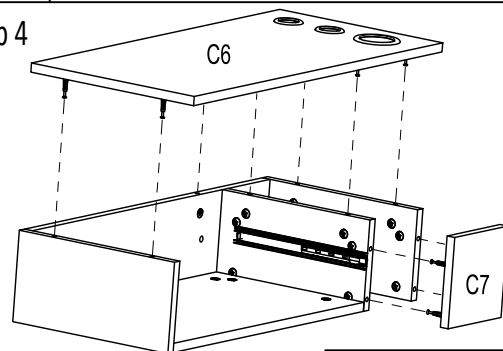
C2



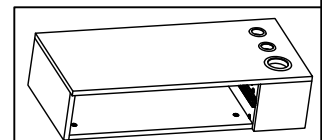
C5

Step 4

C6

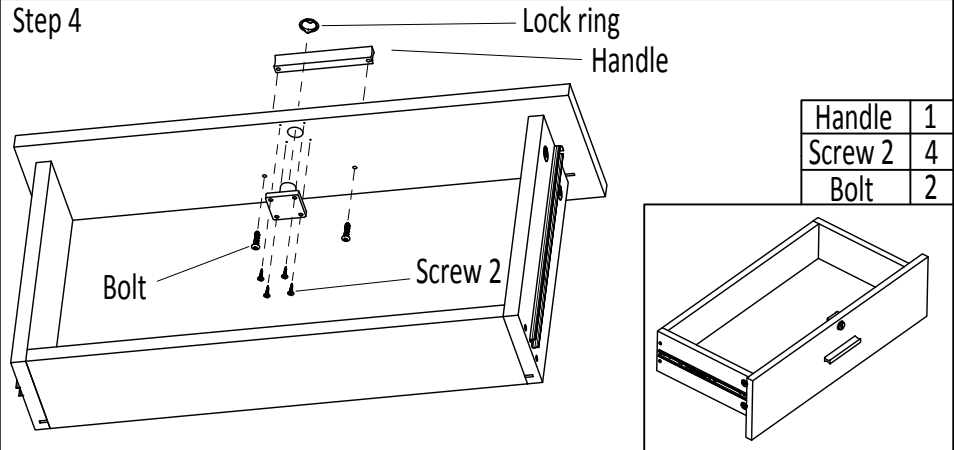
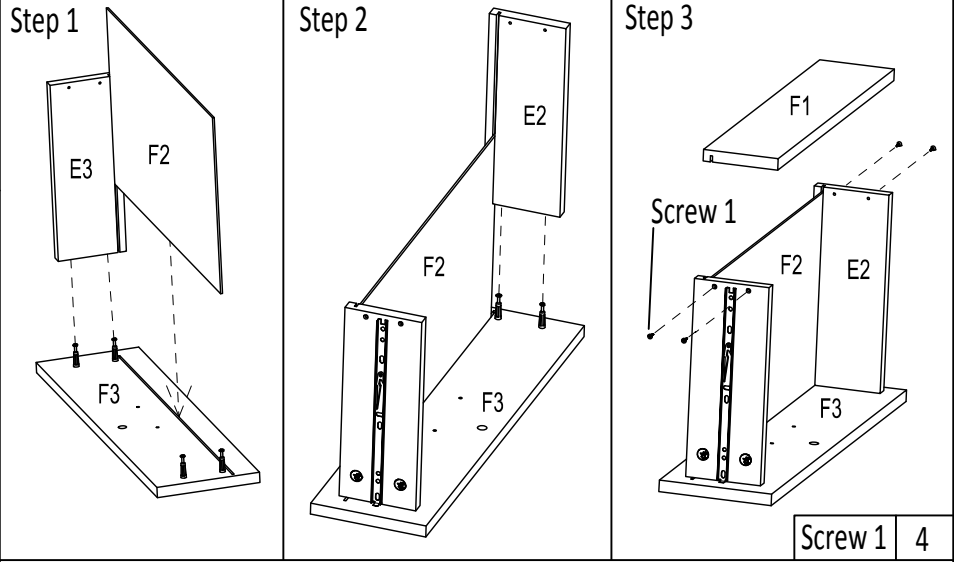


C7



Third : Install the larger drawer

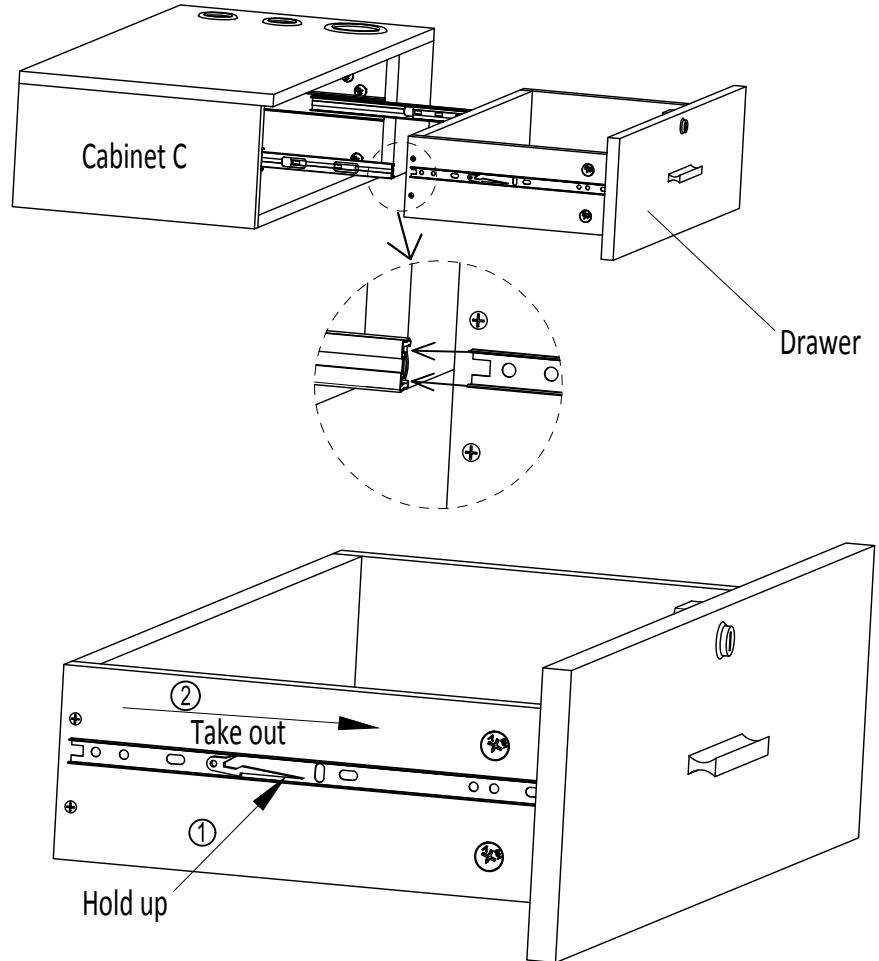
Step 1 . Install E3 and F2 to F3 .
 Step 2 . Install E2 to installed F2 and F3 .
 Step 3 . Install F1 to installed E2, E3 & F3 .
 Step 4 . Install lock and handle to E5 .
 Please follow up the diagram beside.



Fourth : Install the drawer into the cabinet C

Step 1 . Match the tracks of the drawer with cabinet C , then insert the drawer into the cabinet A .

If you want to take the drawer out, please follow the diagram beside .



Fifth : Assemble the installed cabinet C and drawer

Step1 . Install the cabinet C on wall with 2 Expansion bolts .
Step 2 .Insert the drawer into the the cabinet C .
Please follow up the diagram beside.

